

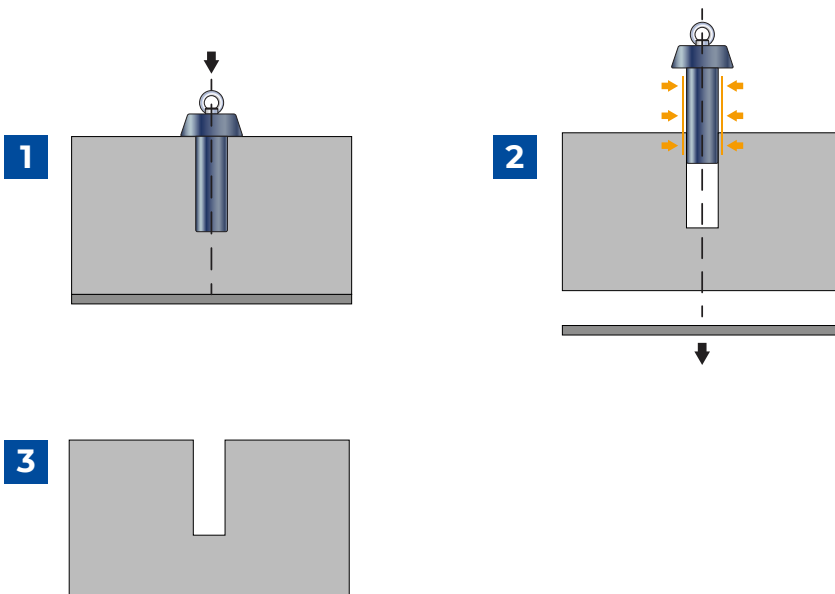
# INSTALLATION GUIDE

## InnoGain PH

### IMPORTANT REMARKS

- a. Care should be taken to avoid sharp edges which may damage the flexible outer cover.
- b. InnoGain should only be used in concrete.
- c. Always ensure the InnoGain is pulled squarely from the concrete.

- 1** InnoGain PH is placed in the concrete immediately after pouring before setting.
- 2** Once the concrete is cured, the InnoGain PH is removed.
- 3** After construction is complete the recess is filled with mortar to make good.



An innovation brought to market  
by Performance Technology.

Issue 2 - 02 2019

**IMPORTANT:** Directions for use are given for guidance only and are not intended to form part of any contract. They should be varied or adapted to suit your particular materials or conditions of use. Goods supplied by the company are made to approved standards from the highest quality raw materials but no warranty or guarantee is given as to their suitability for any particular purpose or application, and no liability is accepted for any loss or damage arising directly or indirectly from the use of the Company's products irrespective of any information given to us as to intended use of such products. It is therefore recommended that prospective users should test a sample of this product under their own conditions to satisfy themselves that the product is suitable for the purpose intended.

0161 447 8320  
[www.InnoGain.co.uk](http://www.InnoGain.co.uk)